



# Safety Pool Cover Installation Manual

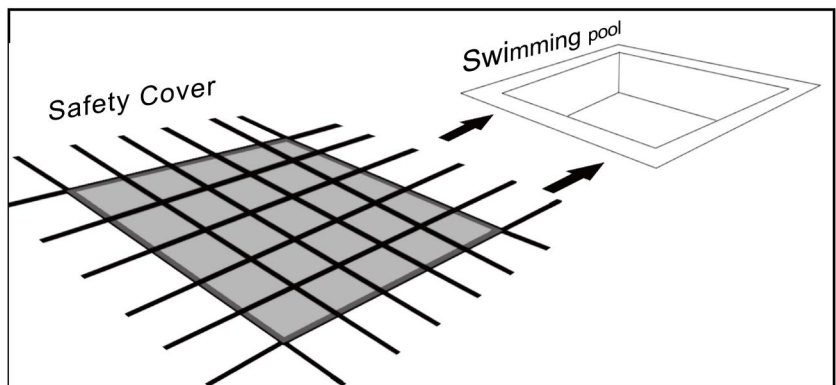
Safety pool covers are simply the best product to protect your family members. In order to install the cover quickly, pls stick to the procedures below.

**1** Pls remove cover from bag and when you open the bag, you can see safety cover installation Tools& Accessories.

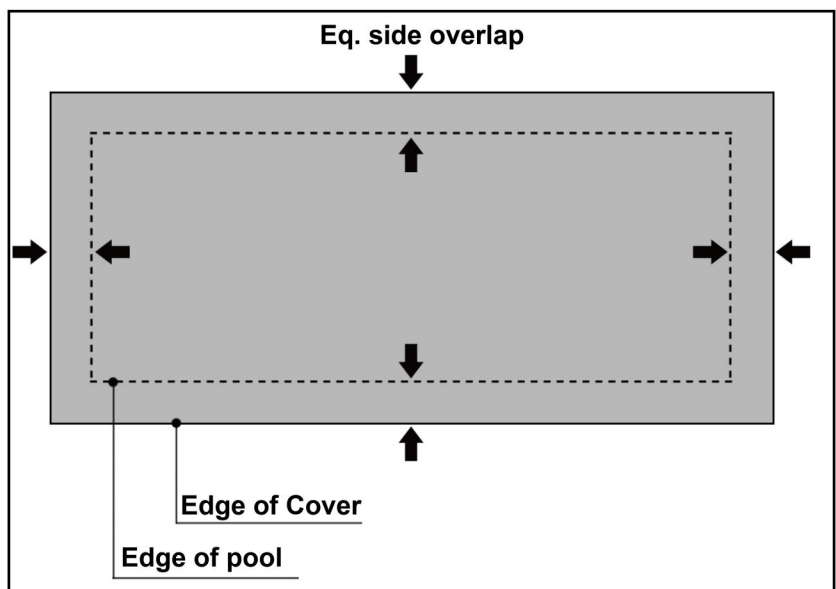
- ① Spring PVC Covers
- ② Buckles
- ③ Concrete Deck Anchor
- ④ Wood Deck Anchor
- ⑤ Tamping Tool
- ⑥ Allen Wrench
- ⑦ Tension Bar



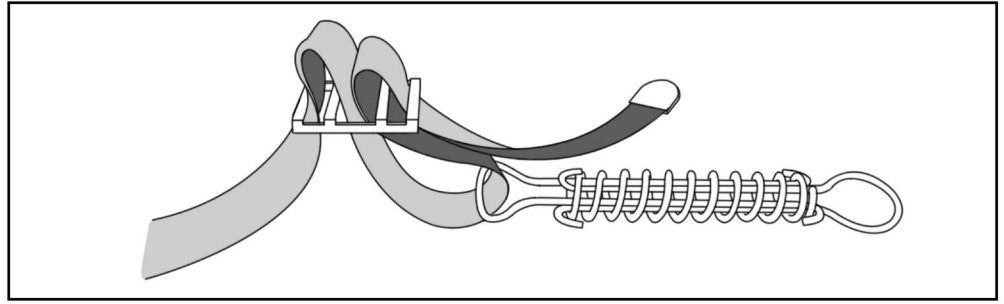
**2** Unfold the cover carefully on long side of pool and place the cover carefully on pool. (Keeping water levels up, supports the cover during installation).



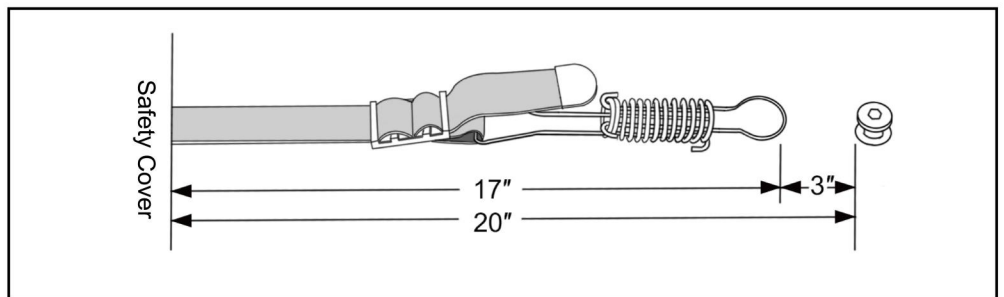
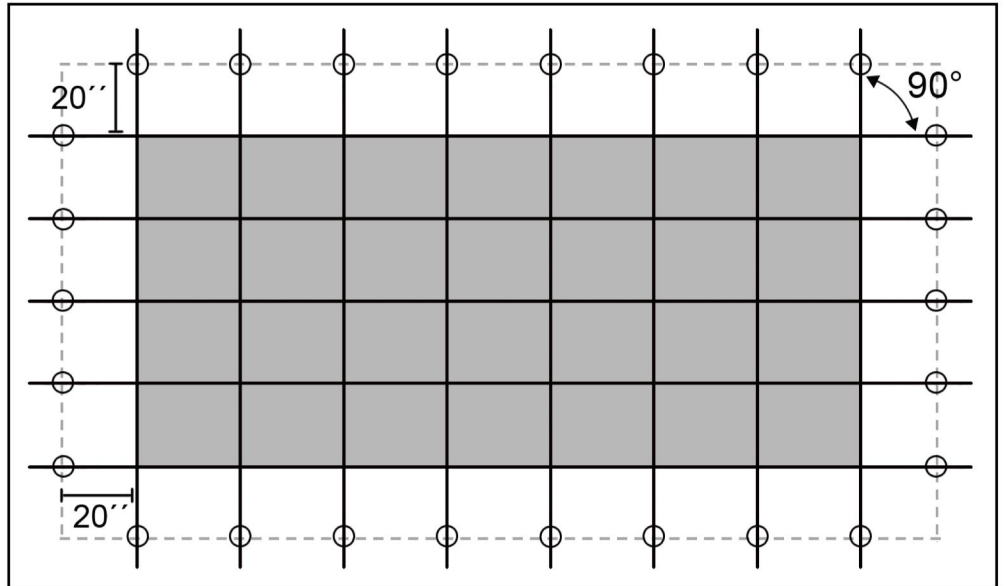
**3** Adjust the cover so that it overlaps the pool evenly on all sides and corners and make sure they are even.



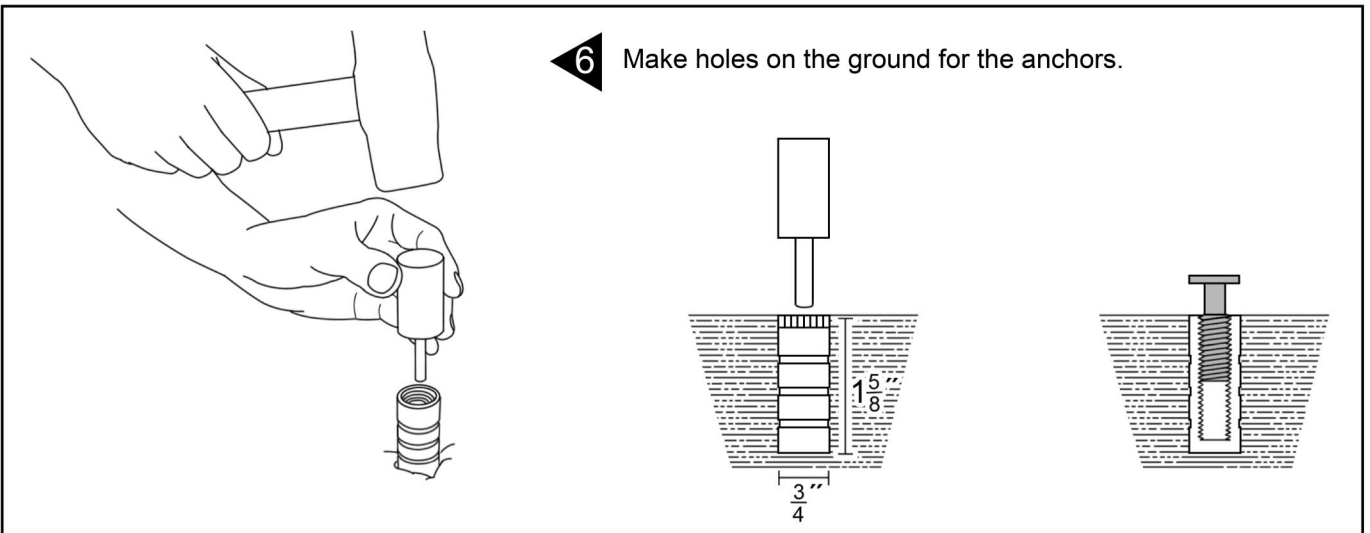
**4** Attach cover straps with buckles and springs.



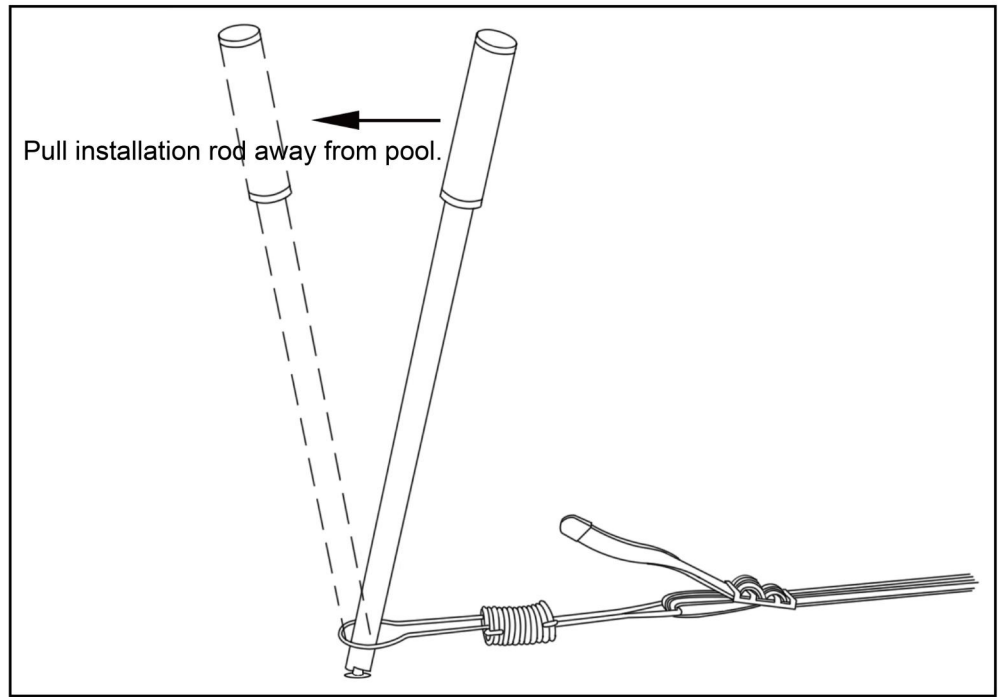
**5** Beginning with the center straps of the length and width. Mark where holes are to be drilled, approximately 20" from the pool cover edge. Once the anchor distance is confirmed, snap a chalk line along the width and length of the deck to install anchors evenly and straight.



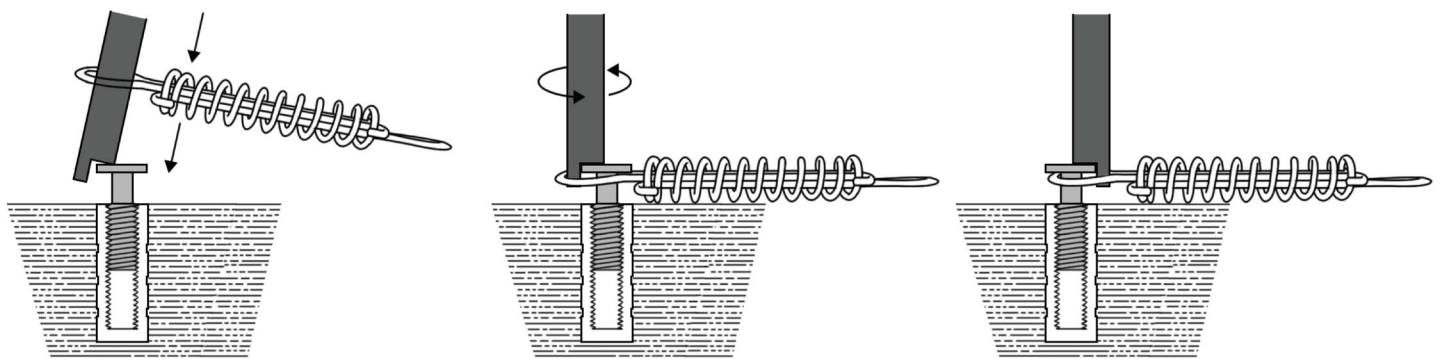
**6** Make holes on the ground for the anchors.



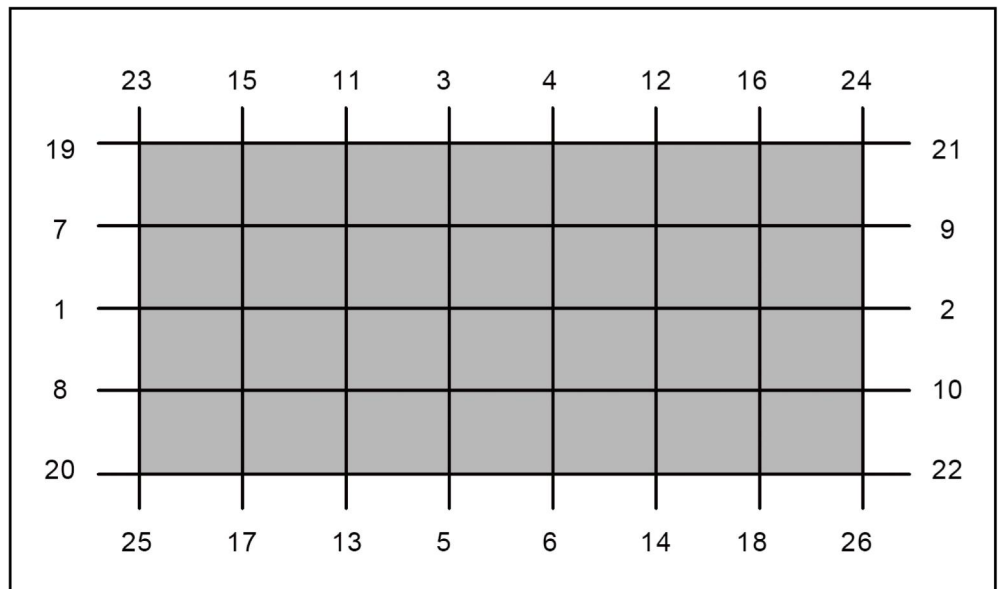
**7** After placed anchors on the ground by use a hammer, using the tension bar to pull the spring away from the pool until the spring slides over the anchors make sure the spring is around 50% compressed.



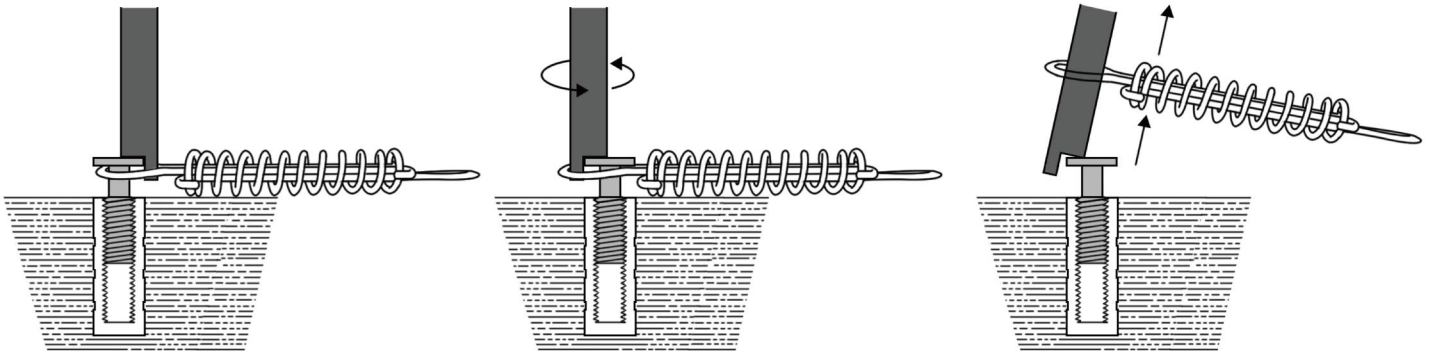
How to use Tension Bar?



**8** Install the cover spring to the anchors in below sequence to make sure the cover is properly placed.



**9** When removing a safety cover, insert the installation rod between the spring and the anchor. Lower all anchors so not to drag cover over raised anchors (if not, this may cause unwanted rips and tears in the cover.) Tip the rod towards the cover to slip the ring off the anchors screw. Carefully pull the cover off the pool, clean it, place it in bag and in dry place for storage.



**10 TIPS:**

1. The water level of the pool must not be more than 18" below the cover and check the water level regularly.
2. Concrete decks should be a minimum of 3 inches to 4 inches deep to ensure that anchors are secured.
3. For wood decks, using our wood deck brass anchors and drill a hole with 1 1/2" diameter to a depth of 1/8". Then drill 3/4" diameter holes at least 2" deep, or through the deck, in the center of the original 1 1/2" holes. Drop the wood deck anchors into the holes and Screw the anchors to the deck.
4. To prevent damage to the cover, do not drag it. All of the strap reinforcements should be facing down.
5. If your pool has any areas with cut-outs or zero tolerance areas (e.g. walls, waterfalls or elevated spas), install these areas first. If there are several areas like this, start at most complicated.